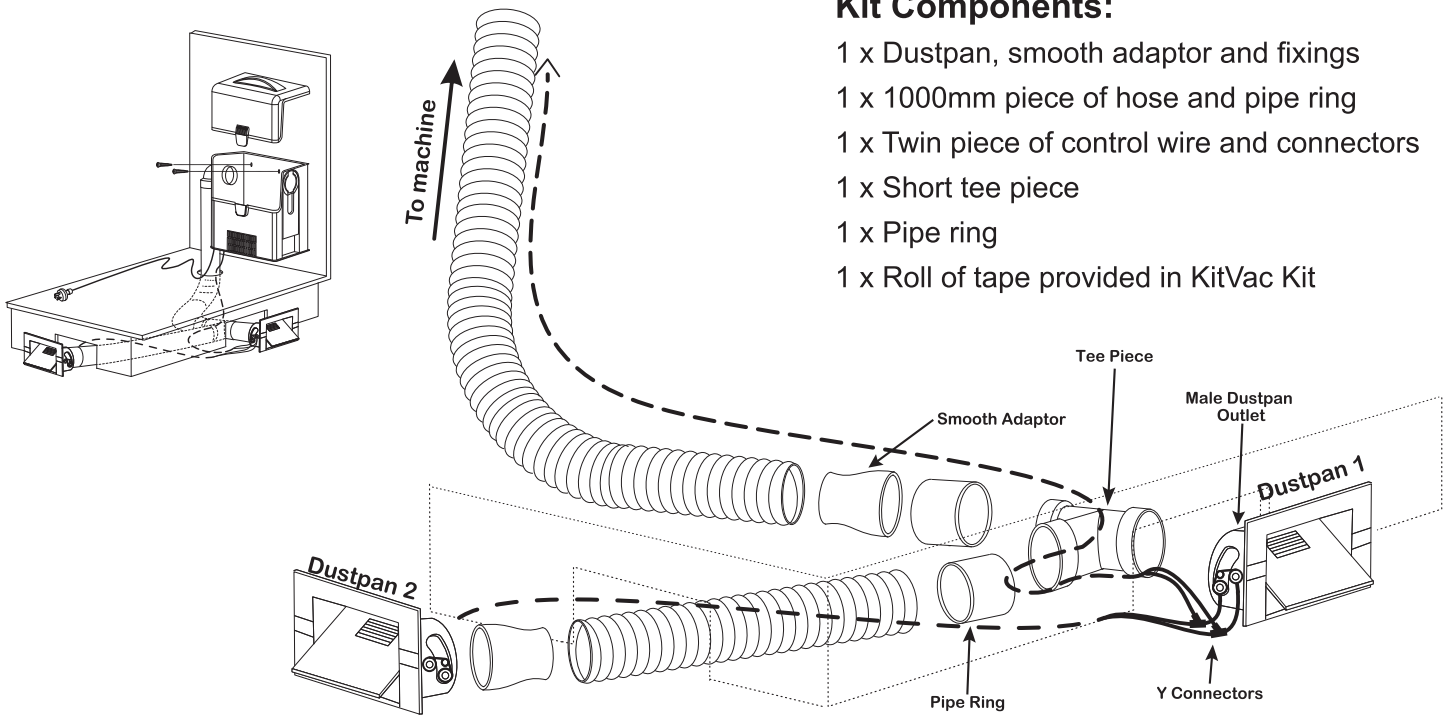


DUSTPAN EXPANSION KIT (White/Silver/Black)



Kit Components:

- 1 x Dustpan, smooth adaptor and fixings
- 1 x 1000mm piece of hose and pipe ring
- 1 x Twin piece of control wire and connectors
- 1 x Short tee piece
- 1 x Pipe ring
- 1 x Roll of tape provided in KitVac Kit

Tape all fittings, as per 3 & 4 below.

Instructions

Position extra dustpan within the length of your hose. You can run longer lengths, but you need to special order for this. Note that all installations can vary slightly, but see standard install below;

- 1) Place machine in cupboard and feed wires through your hole cut out and into kickboard cavity. Secure wires so that they now protrude past your 2 dustpan cut outs.
- 2) Feed machine hose down & then your extra dustpan hose so that they then both protrude out through dustpan one cut out.
- 3) Tape tee piece first. Note you need one tight layer of tape only on male Dustpan outlet. The tee piece should now be a tight fit.
- 4) Now tape your fittings together as per drawing with several tight layers of tape.
- 5) Connect cables by pushing connectors only, not by the wires. (There is no positive or negative). 'Y' females to dustpan 1 spades, Kitvac unit females to 'Y' male spade. Check your clearance from moving spring (open/close your door).

IMPORTANT - Tape 1 x 'Y' connector with 3 - 4 layers of tape to avoid any shortening out ie. stop both the 'Y' connectors metal to metal touching.

- 6) To insert hose connection, bend dustpan 2 hose and push through dustpan 1 cut out. Connect up dustpan 2 & check that all switches are working before you fix off.